



Sell Sheet

SO-6003/SO-6005
SO-6012/SO-6020
SO-6030
SO-7012

METAL PEDAL BINS

Aesthetic and practical solution for general waste management
 Available in Stainless Steel 18/0 and white epoxy.
 Pedal mechanism made of 100 % metal components for a better durability
 Smooth surfaces for easy maintenance.



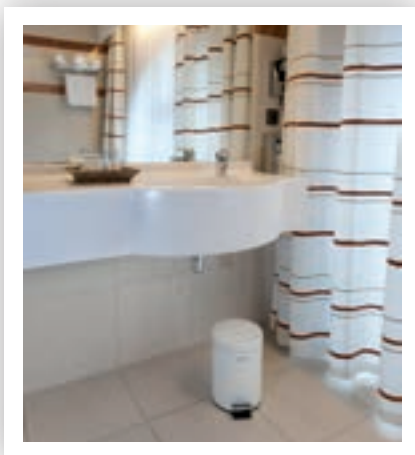
Plastic liner allows for cleaner container and eases hygienic disposal of contents. 12L white pedal bin also available with metal liner : ref. SO-7012-WHT.



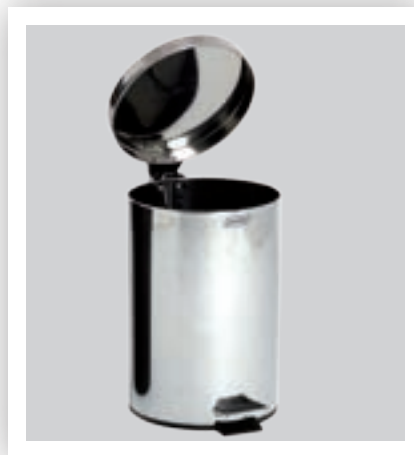
Ergonomic handle for easy hygienic handling



Ideal for hotels bathrooms and away-from-home washrooms in general

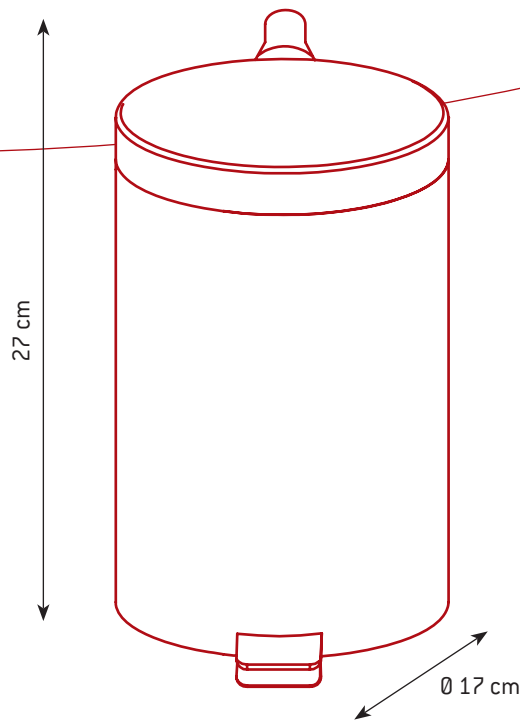


Fire safe through automatic closing and fully protected pedal mechanism

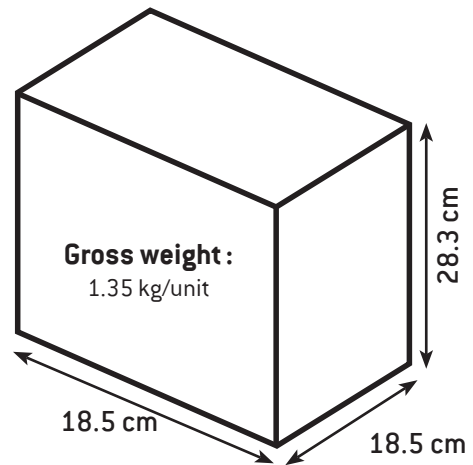


Technical Sheet
SO-6003

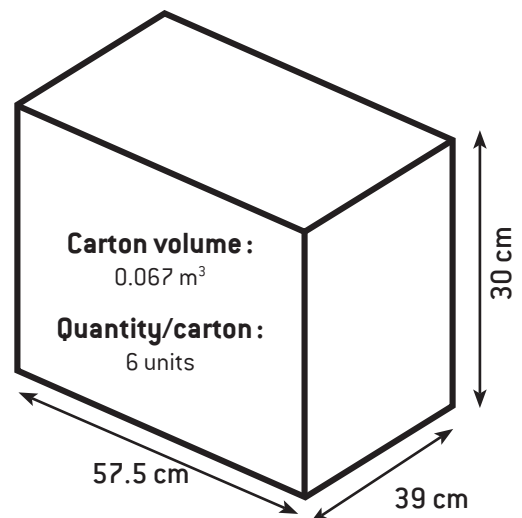
METAL PEDAL BIN - 3 L



GIFT BOX SPECIFICATIONS



CARTON SPECIFICATIONS



Product codes :

SO-6003-MSSTL
SO-6003-WHT

EAN codes :

-MSSTL : 4897020620051
-WHT : 4897020620044

Material :

-MSSTL : Stainless Steel 18/0
-WHT : Galvanised steel (epoxy)

Colours :

-MSSTL : Mirror Stainless Steel
-WHT : White

Capacity :

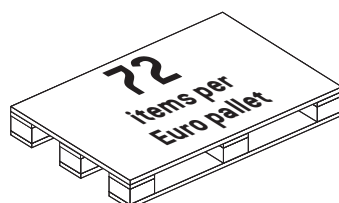
3 L

Product net weight :

0.78 kg/unit

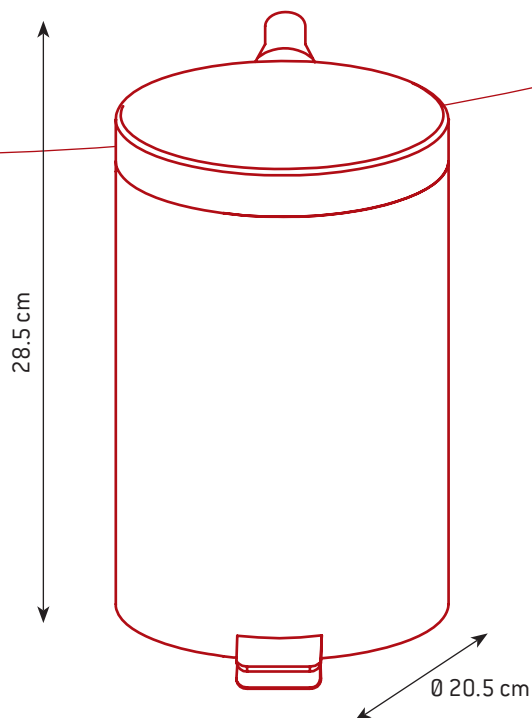
Product dimensions :

[L] 17 x [W] 17 x [H] 27 cm

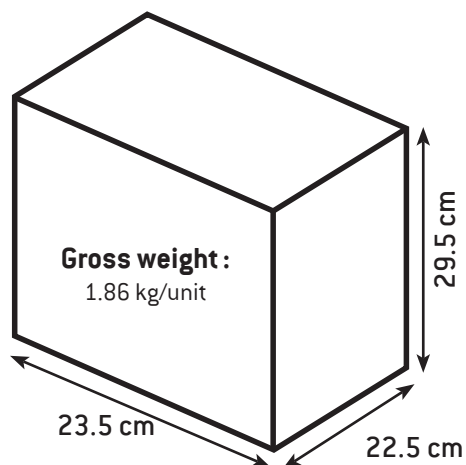


Technical Sheet
SO-6005

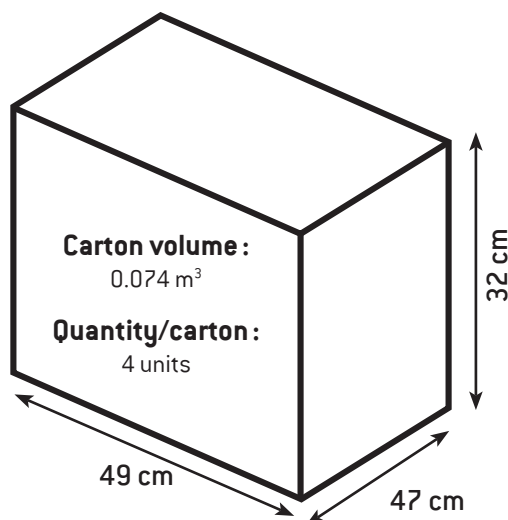
METAL PEDAL BIN - 5 L



GIFT BOX SPECIFICATIONS



CARTON SPECIFICATIONS



Product codes :

SO-6005-MSSTL
SO-6005-WHT

EAN codes :

-MSSTL : 4897020620075
-WHT : 4897020620068

Material :

-MSSTL : Stainless Steel 18/0
-WHT : Galvanised steel (epoxy)

Colours :

-MSSTL : Mirror Stainless Steel
-WHT : White

Capacity :

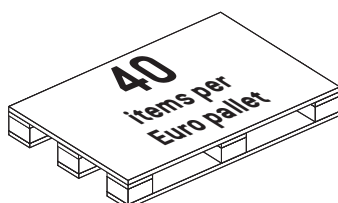
3 L

Product net weight :

-MSSTL : 0.91 kg/unit
-WHT : 1.06 kg/unit

Product dimensions :

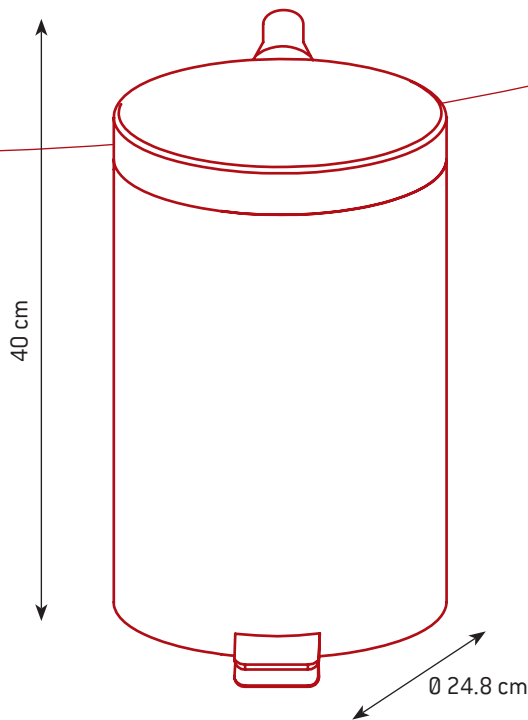
(L) 20.5 x (W) 20.5 x (H) 28.5 cm



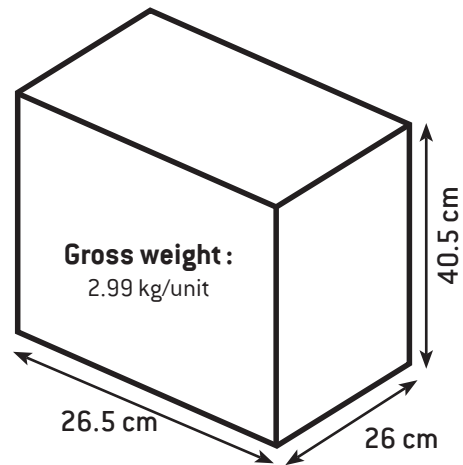


Technical Sheet SO-6012

METAL PEDAL BIN - 12 L



GIFT BOX SPECIFICATIONS



Product codes :

SO-6012-MSSTL
SO-6012-WHT

EAN codes :

-MSSTL : 4897020620099
-WHT : 4897020620082

Material :

-MSSTL : Stainless Steel 18/0
-WHT : Galvanised steel (epoxy)

Colours :

-MSSTL : Mirror Stainless Steel
-WHT : White

Capacity :

12 L

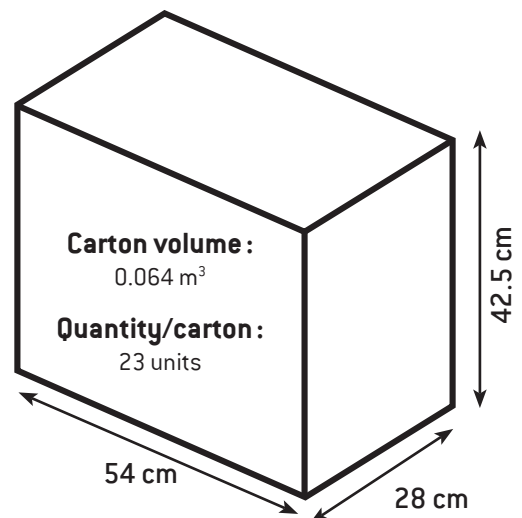
Product net weight :

1.8 kg/unit

Product dimensions :

[L] 24.8 x [W] 24.8 x [H] 40 cm

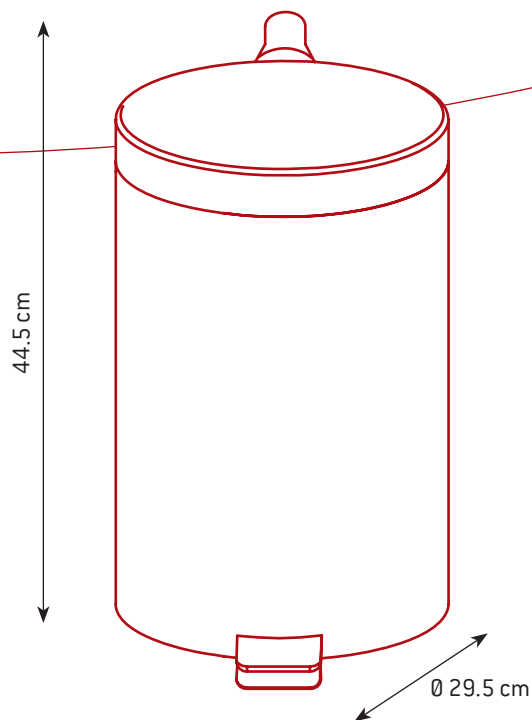
CARTON SPECIFICATIONS



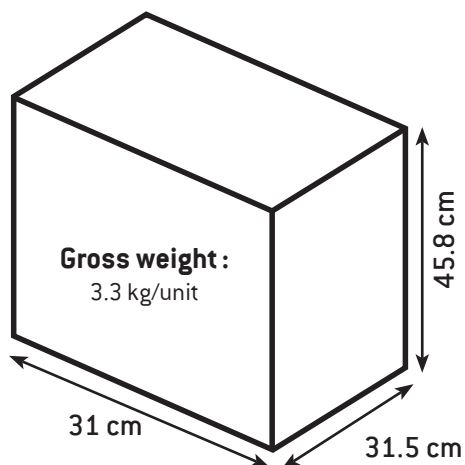


Technical Sheet SO-6020

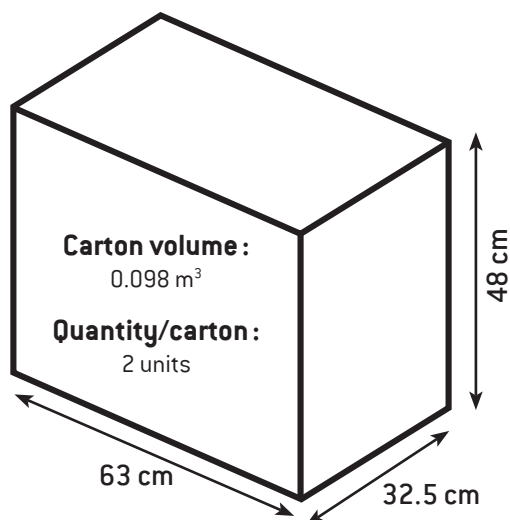
METAL PEDAL BIN - 20 L



GIFT BOX SPECIFICATIONS



CARTON SPECIFICATIONS



Product codes :

SO-6020-MSSTL
SO-6020-WHT

EAN codes :

-MSSTL : 4897020620884
-WHT : 4897020622192

Material :

-MSSTL : Stainless Steel 18/0
-WHT : Galvanised steel (epoxy)

Colours :

-MSSTL : Mirror Stainless Steel
-WHT : White

Capacity :

20 L

Product net weight :

2.6 kg/unit

Product dimensions :

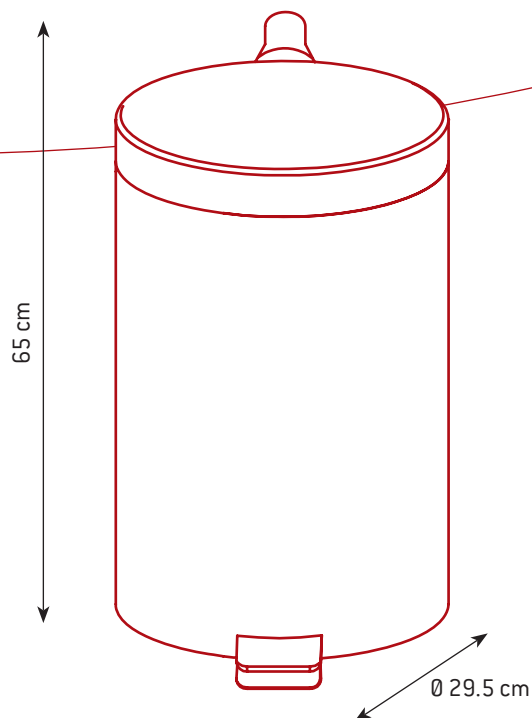
(L) 29.5 x (W) 29.5 x (H) 44.5 cm



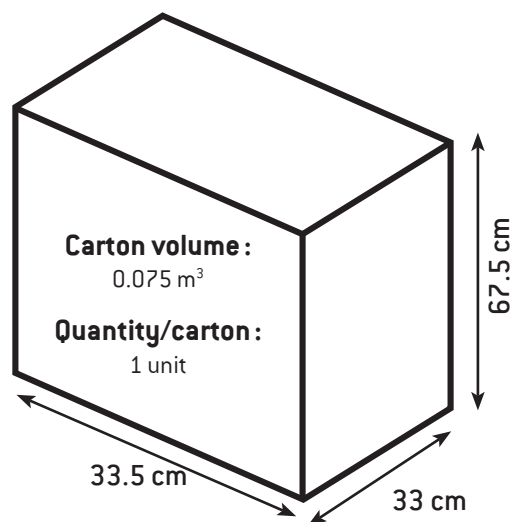


Technical Sheet SO-6030

METAL PEDAL BIN - 30 L



CARTON SPECIFICATIONS

**Product codes :**

SO-6030-MSSTL
SO-6030-WHT

EAN codes :

-MSSTL : 4897020620891
-WHT : 4897020622505

Material :

-MSSTL : Stainless Steel 18/0
-WHT : Galvanised steel (epoxy)

Colours :

-MSSTL : Mirror Stainless Steel
-WHT : White

Capacity :

30 L

Product net weight :

-MSSTL : 3.5 kg/unit
-WHT : 3.7 kg/unit

Product dimensions :

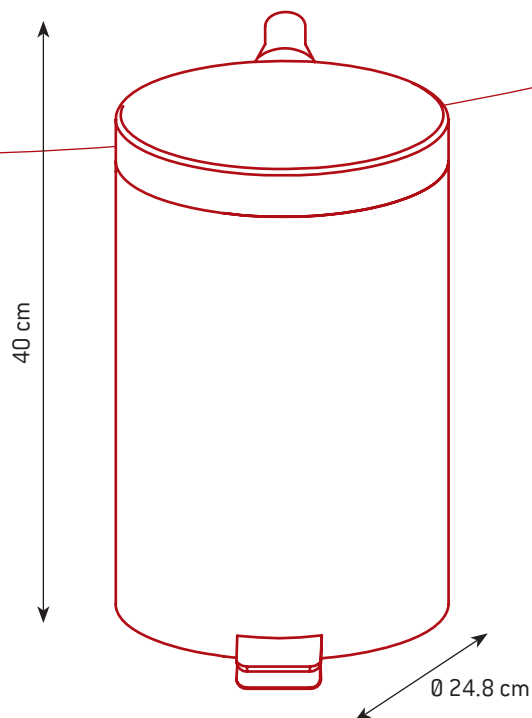
(L) 29.5 x (W) 29.5 x (H) 65 cm

Gross weight :

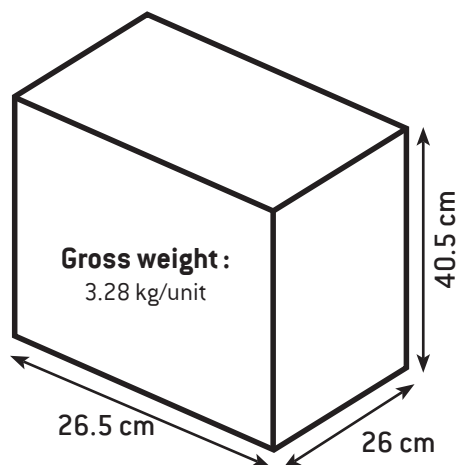
-MSSTL : 5 kg/unit
-WHT : 4.8 kg/unit

Technical Sheet
SO-7012

METAL PEDAL BIN - 12 L



GIFT BOX SPECIFICATIONS



Product code :
SO-7012-WHT

EAN code :
4897020624882

Material:
Bin : Galvanised steel (epoxy)
Liner : Galvanised steel (epoxy)

Colour:
White

Capacity :
12 L

Product net weight :
2.1 kg/unit

Product dimensions :
[L] 24.8 x [W] 24.8 x [H] 40 cm

CARTON SPECIFICATIONS

